

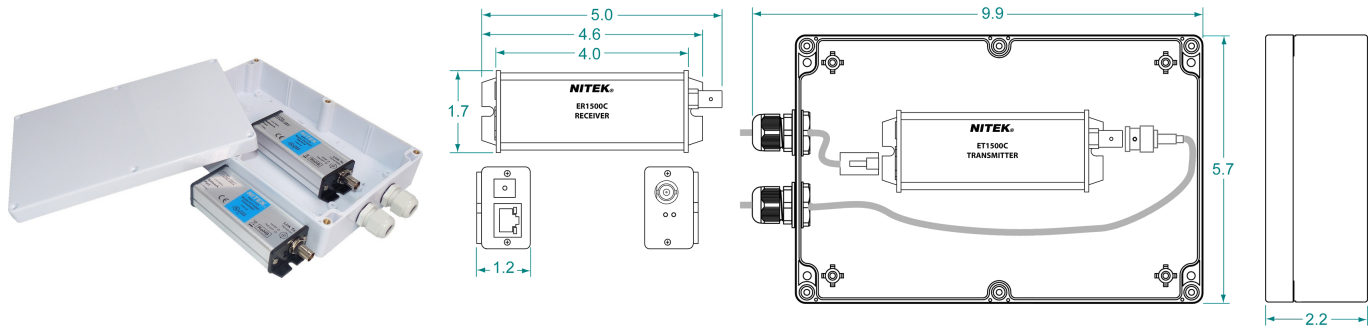


# EL1500CW

**Outdoor IP over Coax. Set includes: ET1543C Transmitter, ER1500C Receiver & Weatherproof Case.**

The EL1500CW is part of the EtherStretch solution for outdoor applications. The EL1500CW consists of an ET1500C mounted in a WP1325 enclosure for the camera side, and an ER1500C for the head end of the link. The EL1500CW is the complete solution for PoE power and 10/100 link extension over up to 500m of RG-59 or RG-6 coaxial cabling. The ER1500C sources power to the link by requesting power from a PoE switch or power up to 30W can be injected from an optional PS48 power supply.

The WP1325 enclosure (indicated by the "W" in the part number) is a polycarbonate high-impact NEMA 4X rated box equipped with neoprene gaskets to prevent the ingress of moisture and dust. The box comes with two bottom-side cable entries fitted with UL94V-2 rated nylon hex cable glands to maintain the weatherproof seal.



## PRODUCT FEATURES

- Transmitter housed in a NEMA 4X rated enclosure for outdoor applications
- Includes Transmitter, Receiver, and Weatherproof Case
- Extends 10/100 Mbps Full Duplex Ethernet & PoE up to 500 meters over coax
- Supports any IP network device & 4K cameras
- Supports IEEE802.3at (25.5W) and IEEE802.3af (15.4W)
- Fully transparent to the network, no MAC or IP addressing required
- LED indicators for power, network rate, link status, and PoE output
- The optional power supply can insert PoE power for non-PoE switches
- Short circuit, over current, and over-voltage protection
- Ground loop isolation
- Easy to set up and install
- Limited Lifetime Warranty
- Designed, tested, manufactured, and supported in the U.S.A.

## TECHNICAL SPECIFICATIONS

### Max Operating Distance (each device)

Network Port: 100m

Link Port: 500m

### Power (each device)

Requirements: 302.3at/af switch or optional power supply

Power Output: Meets IEEE802.3at/af

PoE Source: Local PSE or optional power supply

### LED Connectivity Indicators

Indicators: for power, network rate, link status, and PoE output

### System Latency

System Latency: <1mS over 500m of RG-59

### Mechanical Dimensions (L x W x H)

ER1500C: 130mm x 43mm x 28mm / 5.1" x 1.7" x 1.1"

ET1500C: 130mm x 43mm x 28mm / 5.1" x 1.7" x 1.1"

WP1325: 53mm x 252mm x 146mm / 2.1" x 9.9" x 5.7"

### Shipping Dimensions (L x W x H)

Package: 254mm x 152mm x 76mm / 10" x 6" x 3"

Weight: 2.72kg / 6lbs

### Environmental / Temperature

Operating: -40°C to 75°C / -40°F to 167°F

Storage: -40°C to 75°C / -40°F to 167°F

Humidity: Up to 90% non-condensing

Mean Time Between Failure: >100,000 Hours

### Connectors (each device)

Network Port: RJ45 Connector

Link Port: BNC Coax Jack

### Rating / Listing

UL: IEC/UL 60950-1

NEMA TS-2: Temperature & Humidity NEMA 2.2.7

Mechanical Vibration NEMA 2.2.8

Mechanical Shock NEMA 2.2.9

Operating Voltage NEMA 2.1.2

Operating Frequency NEMA 2.1.8

Transient Test NEMA 2.1.6 thru 2.1.8



5410 Newport Drive  
Rolling Meadows, IL 60008  
www.nitek.net



800.528.4343 toll free  
847.259.8900 tel  
info@nitek.net email