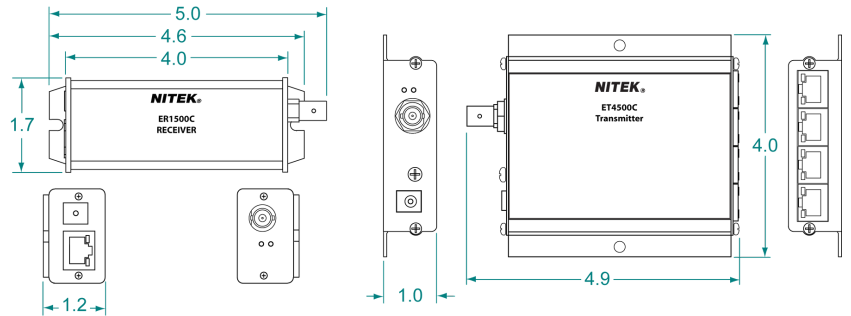


# EL4500C

**4-Channel IP over Coax. Set Includes: 4-Port ET4500C Transmitter, Power Supply and ER1500C Receiver.**

The EL4500C is an exciting addition to the EtherStretch product lineup. NITEK's EL4500C is a great way to upgrade from existing analog cameras to IP, without rewiring. This environmentally hardened solution provides a powered 10/100 Ethernet link to distances of up to 500m over a single RG-59 or RG-6 coaxial cable. At the far end, the ET4500C provides 4 powered RJ45 ports, allowing for connection to multiple IP cameras or other remote devices over a single coax cable. Due to power loss in the cabling, and multiple powered transmitter ports, injection of power at the remote end is recommended using the included PS48 power supply.

The EL4500C provides a complete link consisting of a 4-port transmitter, a transmitter power supply, and a receiver unit. The receiver will negotiate with a PoE switch at the head end to power the link, or power can be injected at the head end using another optional PS48. The EL4500C is transparent to the network and requires no MAC addressing. LED indicators show the status of network communication and PoE power. Both transmitter and receiver are housed in industrial-grade anodized aluminum housings with mounting ears.



## PRODUCT FEATURES

- Includes 4-Port Transmitter, Receiver, and Power Supply
- Extends 10/100 Mbps Full Duplex Ethernet & PoE up to 500 meters over coax
- Supports any IP network device & 4K cameras
- Supports IEEE802.3at (25.5W) and IEEE802.3af (15.4W)
- Fully transparent to the network, no MAC or IP addressing required
- LED indicators for power, network rate, link status and PoE output
- The optional power supply can insert PoE power for non-PoE switches
- Short circuit, over-current and over-voltage protection
- Ground loop isolation
- Easy to set up and install
- Limited Lifetime Warranty
- Designed, tested, manufactured and supported in the U.S.A.

## TECHNICAL SPECIFICATIONS

### Max Operating Distance (each device)

Network Port: 100m

Link Port: 500m

### Power (each device)

Requirements: 302.3at/af switch or optional PS48 power supply

Power Output: Meets IEEE802.3at/af

PoE Source: Local PSE or optional power supply

### LED Connectivity Indicators

Indicators: for power, network rate, link status and PoE output

### System Latency

System Latency: <1mS over 500m of RG-59

### Mechanical Dimensions (L x W x H)

ER1500C: 127mm x 43mm x 28mm / 5.0" x 1.7" x 1.1"

ET4500C: 124mm x 102mm x 25mm / 4.9" x 4.0" x 1.0"

### Shipping Dimensions (L x H x L)

Package: 254mm x 152mm x 76mm / 10" x 6" x 3"

Weight: 0.45kg / 4lbs

### Environmental / Temperature

Operating: -40°C to 75°C / -40°F to 167°F

Storage: -40°C to 75°C / -40°F to 167°F

Humidity: Up to 90% non-condensing

### Connectors

ER1500C: Network Port: 1 RJ45 Connector

Link Port: 1 BNC Coax Jack

ET4500C: Network Port: 4 RJ45 Connector

Link Port: 1 BNC Coax Jack

### Rating / Listing

ER1500C UL: IEC/UL 60950-1

ER1500C NEMA TS-2: Temperature & Humidity NEMA 2.2.7

Mechanical Vibration NEMA 2.2.8

Mechanical Shock NEMA 2.2.9

Operating Voltage NEMA 2.1.2

Operating Frequency NEMA 2.1.8

Transient Test NEMA 2.1.6 thru 2.1.8

**NITEK**®

5410 Newport Drive  
Rolling Meadows, IL 60008  
www.nitek.net



800.528.4343 toll free  
847.259.8900 tel  
info@nitek.net email