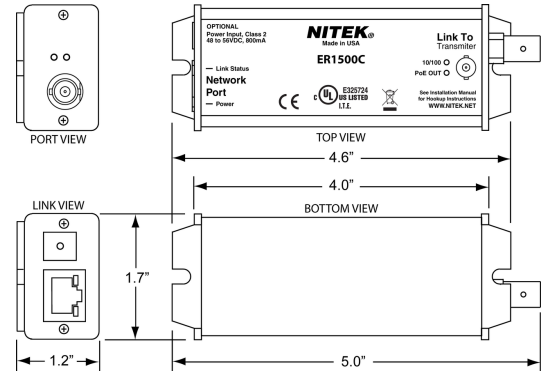


ER1500C

IP over Coax Receiver

The ER1500C is the near-side receiver and powers an EL1500C link. This environmentally hardened device takes in 10/100 Ethernet and Power Over Ethernet (PoE) and delivers them at distances of up to 500m over RG-59 or RG-6 coaxial cabling via a companion transmitter at the far end. The ER1500C is normally situated near the PoE switch for power and data. For situations where PoE is not available, the ER1500C and the link can be powered using an optional PS48 power supply into the power jack of the ER1500C.

The ER1500C is normally sold as a set with the companion transmitter, the ET1543C, as the EL1500C. In situations where far-end power will need to be injected, the ER1500C can be purchased as a set with an ET1500C, as an EL1500C-P. The larger ET1500C has a power jack for connecting an optional PS48 power supply to re-inject power for full ET1500C PoE power output at longer link distances. The ER1500C is housed in an industrial-grade anodized aluminum housing with mounting ears and has LEDs for link status and POE activity.



PRODUCT FEATURES

- IP over Coax Converter Receiver
- Requires ET1543C, ET1500C or ET4500C Transmitter for functionality
- Extends 10/100 Mbps Full Duplex Ethernet & PoE up to 500 meters over coax
- Supports any IP network device & 4K cameras
- Supports IEEE802.3at (25.5W) and IEEE802.3af (15.4W)
- Fully transparent to the network
- No MAC or IP addressing required
- LED indicators for power, network rate, link status, and PoE output
- The optional power supply can insert PoE power for non-PoE switches
- Short circuit, over current, and over-voltage protection
- Ground loop isolation
- Easy to set up and install
- Limited Lifetime Warranty
- Designed, tested, manufactured, and supported in the U.S.A.

TECHNICAL SPECIFICATIONS

Max Operating Distance

Link Port: 500m
Network Port: 100m

Power

Requirements: 302.3at/af switch or optional PS48 power supply
Power Output: Meets IEEE802.3at/af
PoE Source: Local PSE or optional power supply

LED Connectivity Indicators

Indicators: for power, network rate, link status, and PoE output

System Latency

System Latency: <1ms over 500m of RG-59

Mechanical Dimensions (L x W x H)

127mm x 43mm x 28mm / 5.0" x 1.7" x 1.1"

Shipping Dimensions (L x W x H)

Package: 135mm x 195mm x 60mm / 5.3" x 7.7" x 2.3"
Weight: 0.45kg / 1lbs

Environmental / Temperature

Operating: -40°C to 75°C / -40°F to 167°F
Storage: -40°C to 75°C / -40°F to 167°F
Humidity: Up to 90% non-condensing
Mean Time Between Failure: >100,000 Hours

Connectors

Network Port: RJ45 Connector
Link Port: BNC Coax Jack

Rating / Listing

UL: IEC/UL 60950-1
NEMA TS-2: Temperature & Humidity NEMA 2.2.7
Mechanical Vibration NEMA 2.2.8
Mechanical Shock NEMA 2.2.9
Operating Voltage NEMA 2.1.2
Operating Frequency NEMA 2.1.8
Transient Test NEMA 2.1.6 thru 2.1.8

NITEK®

5410 Newport Drive
Rolling Meadows, IL 60008
www.nitek.net



800.528.4343 toll free
847.259.8900 tel
info@nitek.net email