

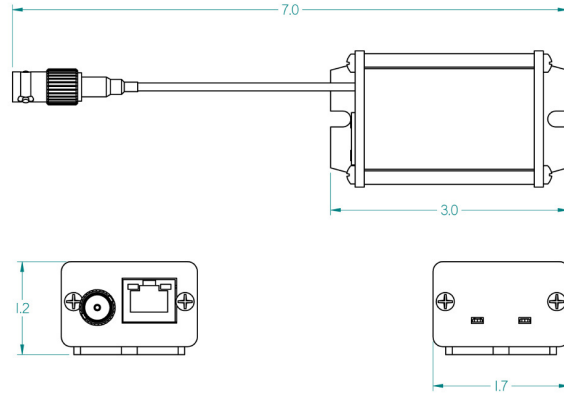


ET1543C

Mini IP over Coax Transmitter. Use with ER1500C, ER8500C and ER16500C

The ET1543C is a mini transmitter that is used with NITEK EtherStretch receivers; allowing for the re-use of existing analog coaxial cable infrastructure to transmit and power IP cameras or other Ethernet devices. This environmentally hardened product is the far end device providing 10/100 Ethernet and Power Over Ethernet (PoE) at distances of up to 500m over RG-59 or RG-6 coaxial cabling. The ET1543C communicates with a NITEK receiver at the head end which has access to power and LAN.

The ET1543C is housed in a mini industrial-grade anodized aluminum housing with mounting ears. The mini enclosure and flexible BNC cable allow for installation into tight spaces. The ET1543C has LEDs for link status and PoE activity.



PRODUCT FEATURES

- Mini IP over Coax Transmitter
- Small enough to fit into tight spaces
- Requires ER1500C, ER8500C or ER16500C receivers for functionality
- Extends 10/100 Mbps Full Duplex Ethernet & PoE up to 500 meters over coax
- Supports any IP network device & 4K cameras
- Supports IEEE802.3at (25.5W) and IEEE802.3af (15.4W)
- Fully transparent to the network, no MAC or IP addressing required
- LED indicators for power, network rate, link status, and PoE output
- Short circuit, over current, and over-voltage protection
- Ground loop isolation
- Easy to set up and install
- Limited Lifetime Warranty
- Designed, tested, manufactured, and supported in the U.S.A.

TECHNICAL SPECIFICATIONS

Max Operating Distance

Network Port: 100m

Link Port: 500m

Power

Requirements: NITEK receiver

Power Output: Meets IEEE802.3af/at

PoE Source: Available coax power

LED Connectivity Indicators

Indicators: for power, network rate, link status, and PoE output

System Latency

System Latency: <1mS over 500m RG-59

Mechanical Dimensions (L x W x H)

76mm (178mm) x 43mm x 30mm / 3.0" (7") x 1.7" x 1.2"

Mounting: (2x) 8mm / 3/8"

Shipping Dimensions (L x H x L)

Package: 127mm x 52mm x 127mm / 7.5" x 2" x 5"

Weight: 0.45kg / 1lbs

Environmental / Temperature

Operating: -40°C to 75°C / -40°F to 167°F

Storage: -40°C to 75°C / -40°F to 167°F

Humidity: Up to 90% non-condensing

Mean Time Between Failure: >100,000 Hours

Connectors

Network Port: RJ45 Connector

Link Port: BNC Coax Jack on mini cable

Rating / Listing

UL: IEC/UL 60950-1

NEMA TS-2: Temperature & Humidity NEMA 2.2.7

Mechanical Vibration NEMA 2.2.8

Mechanical Shock NEMA 2.2.9

Operating Voltage NEMA 2.1.2

Operating Frequency NEMA 2.1.8

Transient Test NEMA 2.1.6 thru 2.1.8



5410 Newport Drive
Rolling Meadows, IL 60008
www.nitek.net



800.528.4343 toll free
847.259.8900 tel
info@nitek.net email